

SIDE TABLE

DIY PLANS

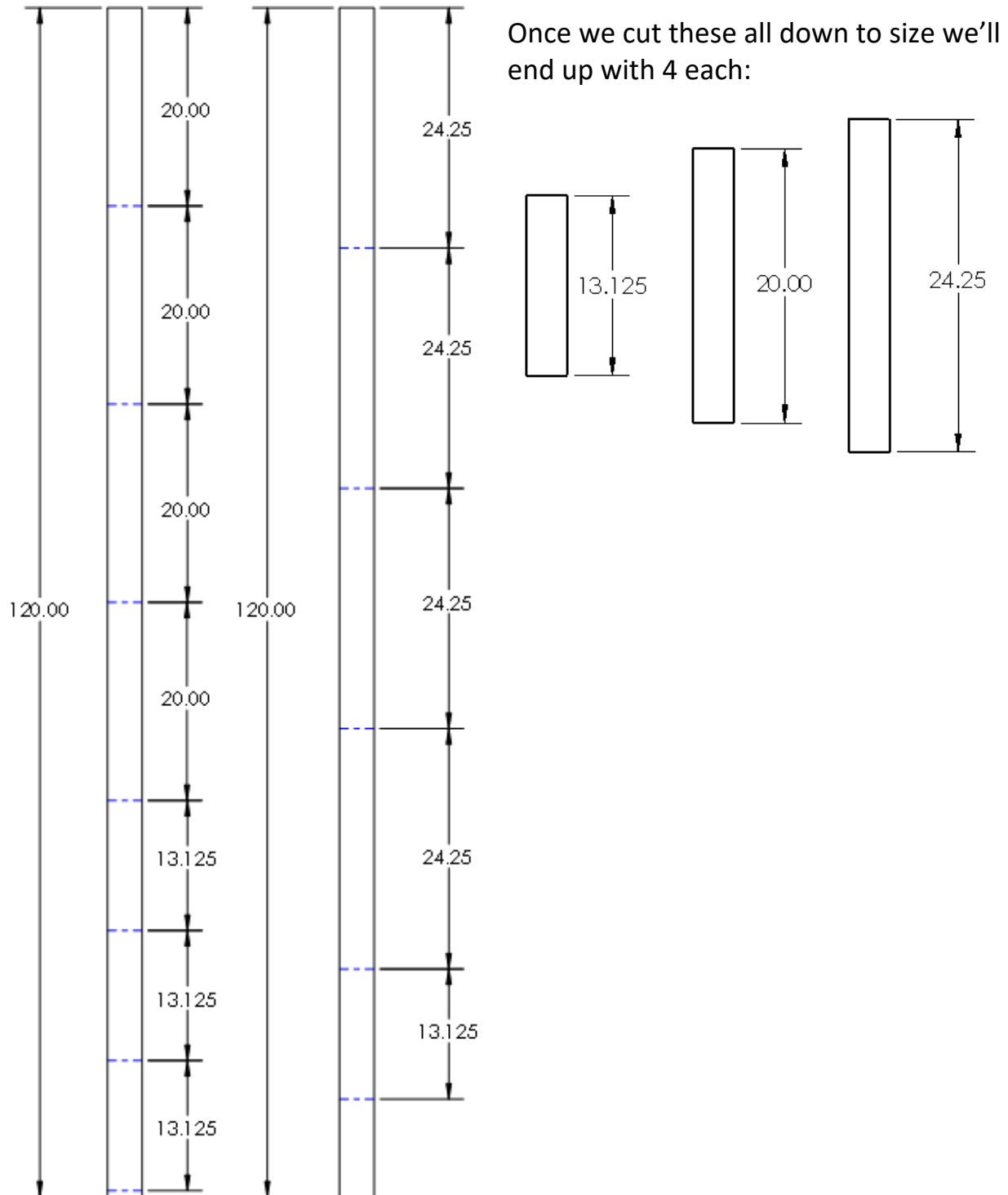
These plans were designed around the use of cleaned up 2x4s. They should be easily adaptable to other types of raw materials though. These plans are mainly to outline dimensions and cuts, so for more details please see our video at youtube.com/evanandkatelyn

We went through a lot of iterations before we settled on our 7th design. The history we went through is also included below:



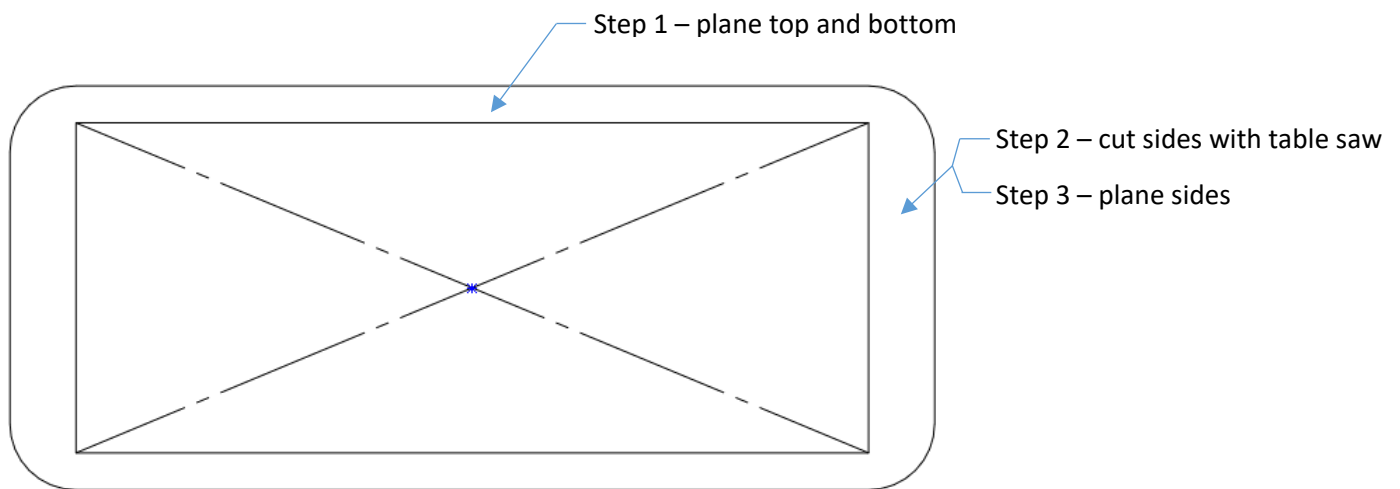
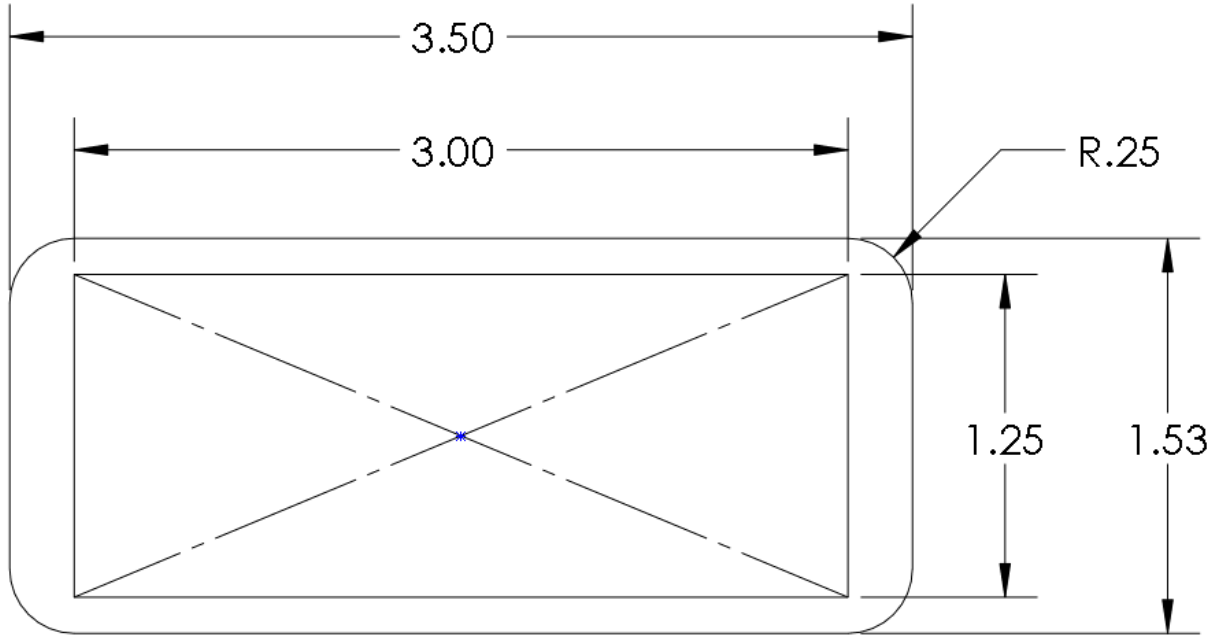
Materials

We used two 10 feet 2x4s for this project. Three 8 feet 2x4s will also work.



Materials (continued)

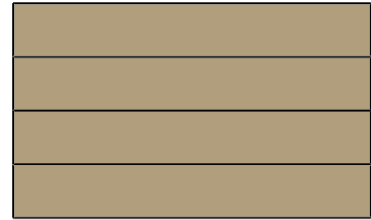
Before we cut these though, we planned the 2x4s down to the following size:



Overview

We designed this table to be made in three pieces before assembly.

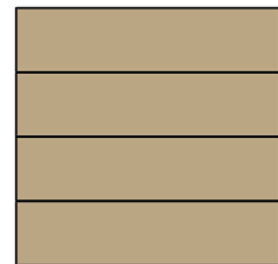
1 x Top



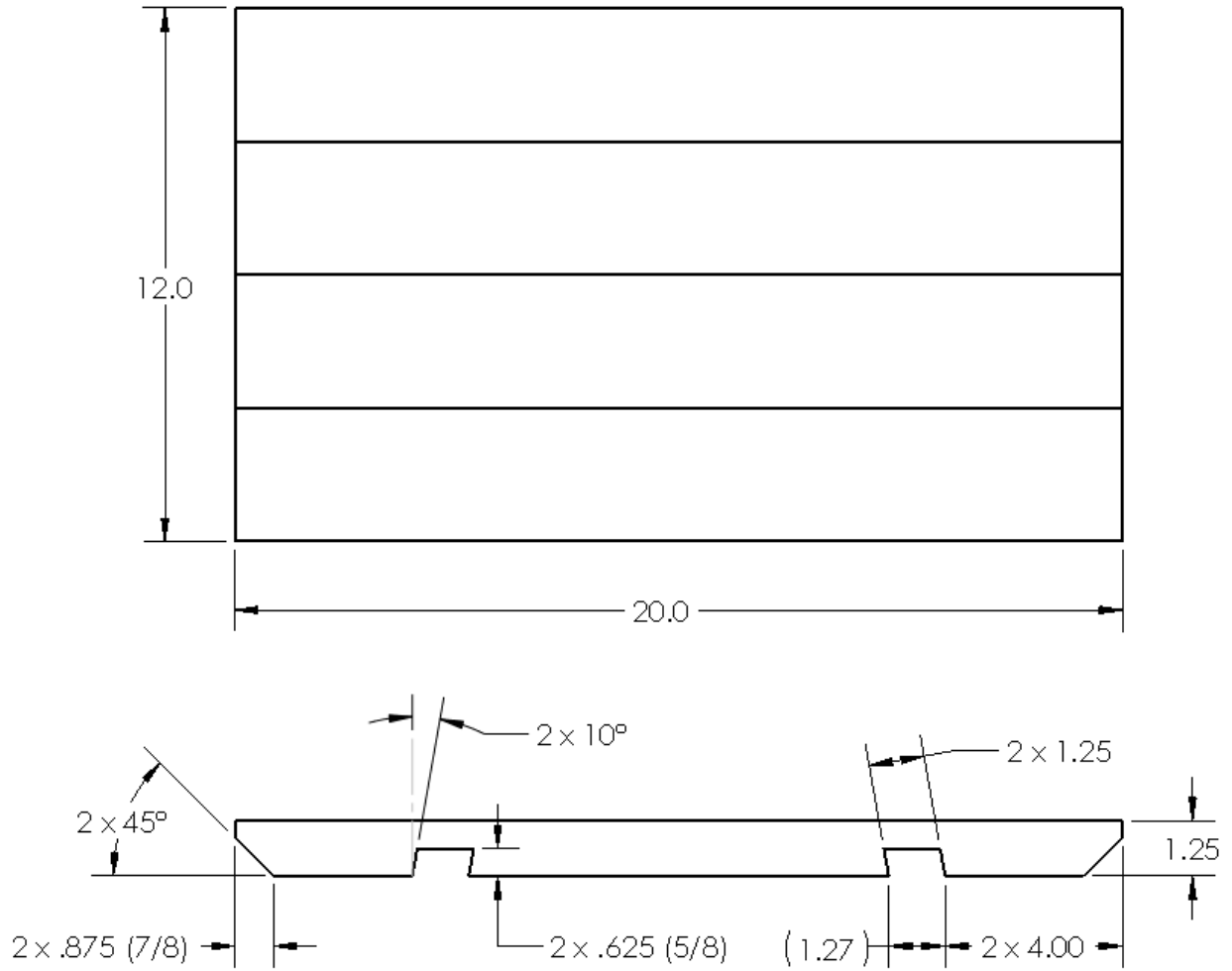
4 x Leg



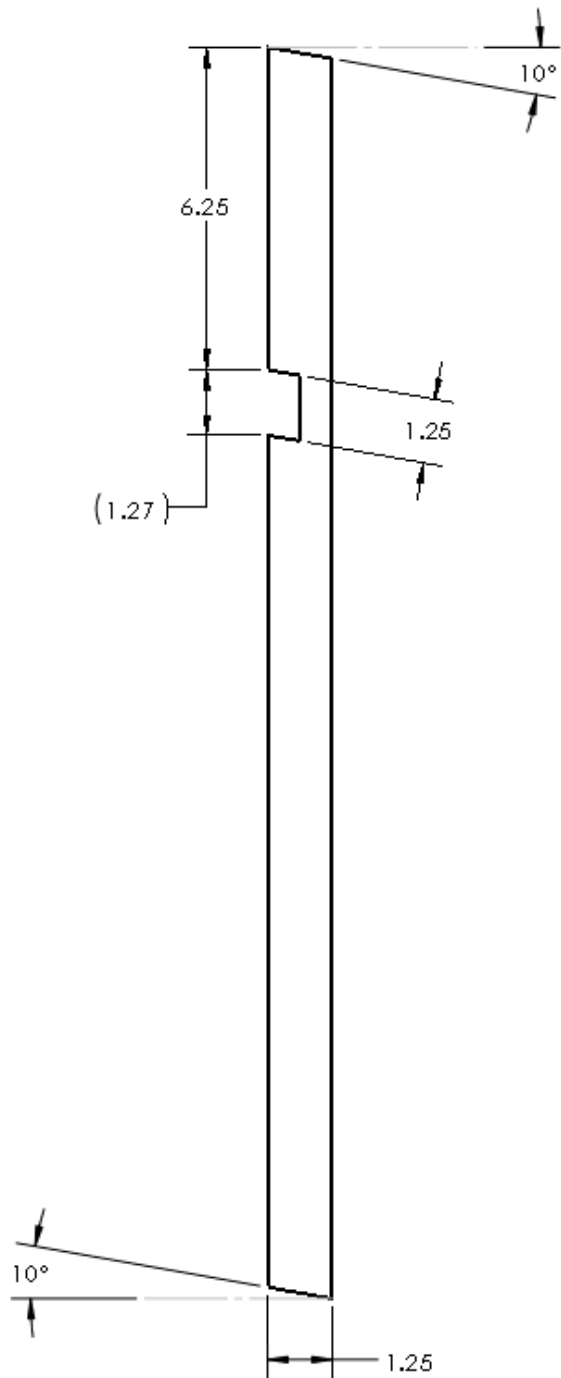
1 x Shelf



Top



Leg



Shelf

